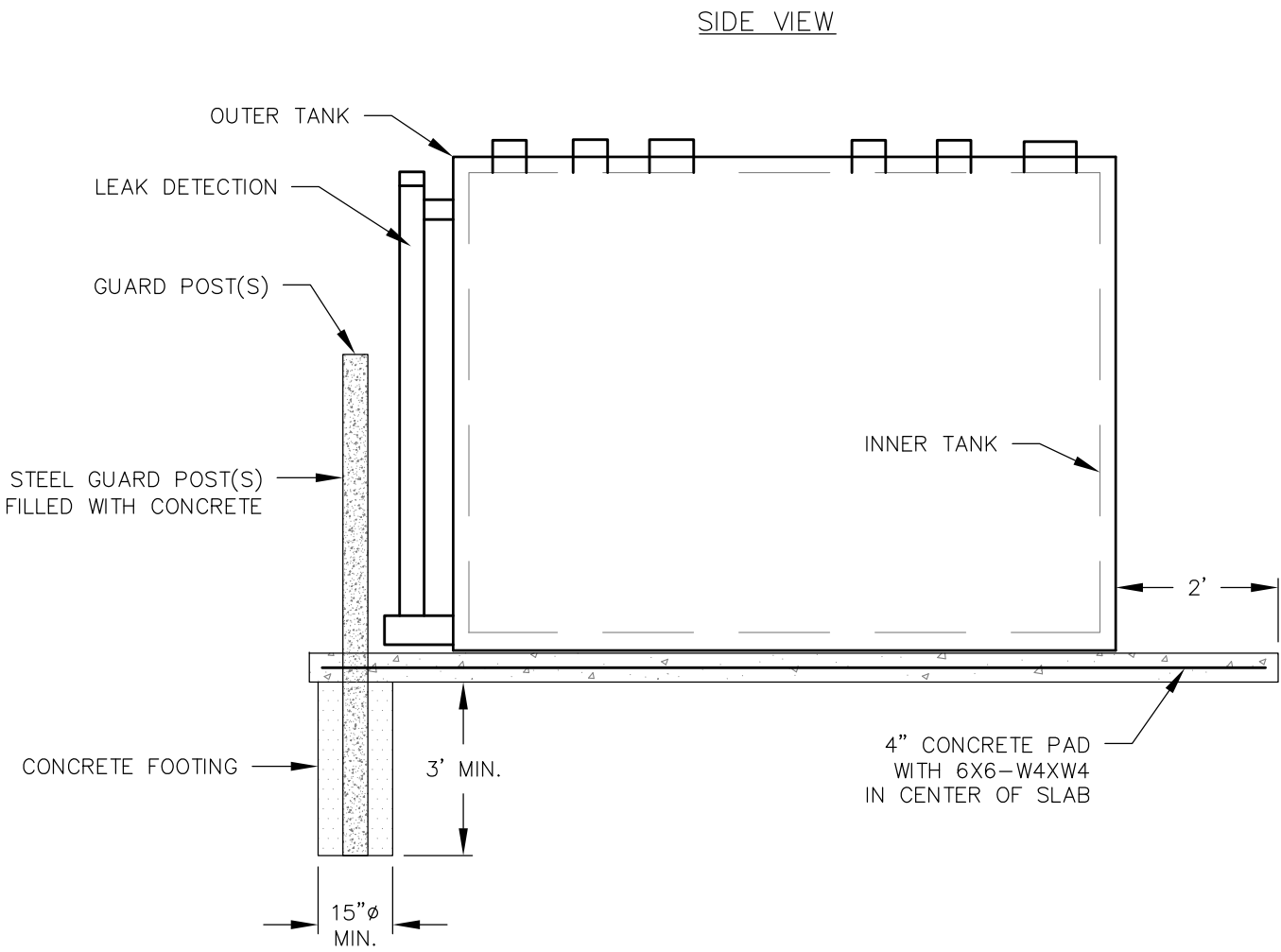
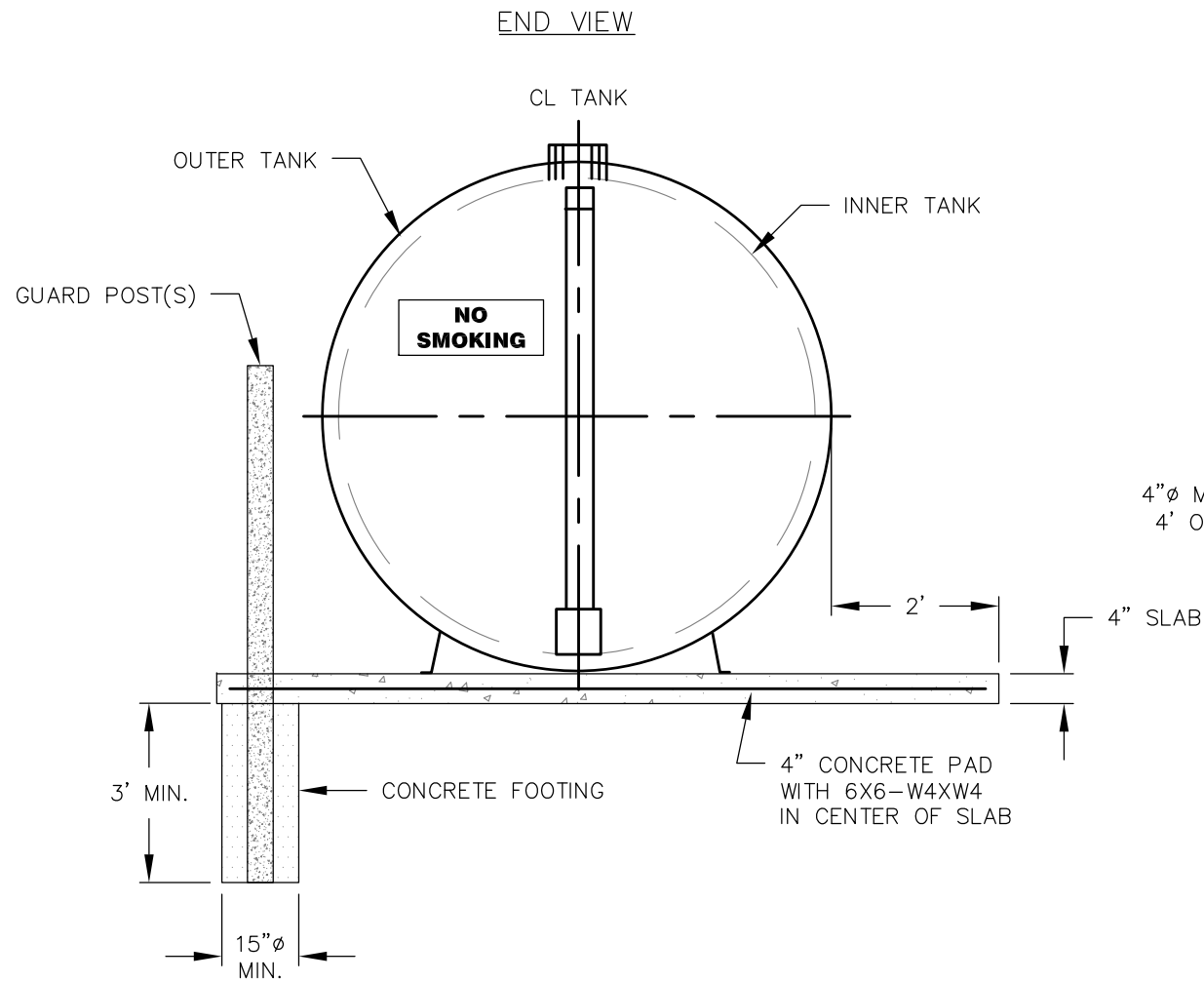


DOUBLE-WALL TANK SECONDARY CONTAINMENT FACILITY
(NOT TO SCALE)



CONSTRUCTION NOTES

- TANK SHALL BE AN ABOVEGROUND ATMOSPHERIC OR LOW-PRESSURE TANK THAT MEETS OR EXCEEDS THE *UL-142 STANDARD (ACTUAL TANK MAY DIFFER FROM DETAIL SHOWN).
- TANK SHALL BE LOCATED ON A CLEAN HARD SURFACE AND SHALL EXTEND 2 FEET (MIN) BEYOND THE OUTSIDE DIMENSIONS OF THE TANK.
- VEHICLE FILLING AREA SHALL HAVE A SIMILAR SURFACE
- VEHICLE PROTECTION IS REQUIRED. GUARD POSTS OR SIMILAR APPROVED PROTECTION IS ACCEPTABLE. POSTS SHALL BE LOCATED WHERE NECESSARY FOR MAXIMUM ACCIDENTAL CONTACT PROTECTION.
- SAFETY SIGNS SHALL BE PLACED AT FACILITY. THIS INCLUDES A MINIMUM OF ONE "NO SMOKING" SIGN AT FUELING AREA. FILL PORTS SHALL BE PAINTED WITH THE PROPER PAINT CODE FOR THE FUEL(S) BEING CONTAINED; GASOLINE-RED, DIESEL-YELLOW, KEROSENE-BROWN
- ANY CHANGES TO THIS DESIGN MUST BE APPROVED BY NRCS
- NOTIFY NRCS AT LEAST 2 DAYS PRIOR TO START OF CONSTRUCTION.

SITE CONSIDERATIONS

- AVOID AREAS
 - CLOSER THAN 300 FT FROM A WELL
 - CLOSER THAN 25 FT TO MAJOR TRAFFIC AREAS
 - CLOSER THAN 10 FT TO ANY BUILDING
 - WHERE RISK OF VANDALISM IS HIGH
- CONTACT INSURANCE CARRIER REGARDING PLACEMENT OF TANKS NEAR BUILDINGS

BILL OF MATERIALS

ITEM #	ITEM	QUANTITY	UNIT	CONSTRUCTION SPECIFICATIONS
1.	_____ PSI CONCRETE		C.Y.	31
2.	CLEAN STONE		C.Y.	11
3.	STEEL GUARD POST		EA	



Dig Safe System, Inc.
It's Smart. It's Easy. It's the Law.
1-888-DIG-SAFE
(888) 344-7233
digsafe.com

*UNDERWRITERS LABORATORIES STANDARD NO. 142 "STANDARD FOR STEEL ABOVEGROUND TANKS FOR FLAMMABLE AND COMBUSTIBLE LIQUIDS"

Date: 6-08
Designed: _____
Drawn: C/JH
Checked: _____
Approved by: _____



HAZARD CLASS: LOW
JOB CLASS: _____

DUAL WALL FUEL CONTAINMENT STRUCTURE
TYPICAL SECTIONS & NOTES
VERMONT

File Name: _____

Drawing Name: _____