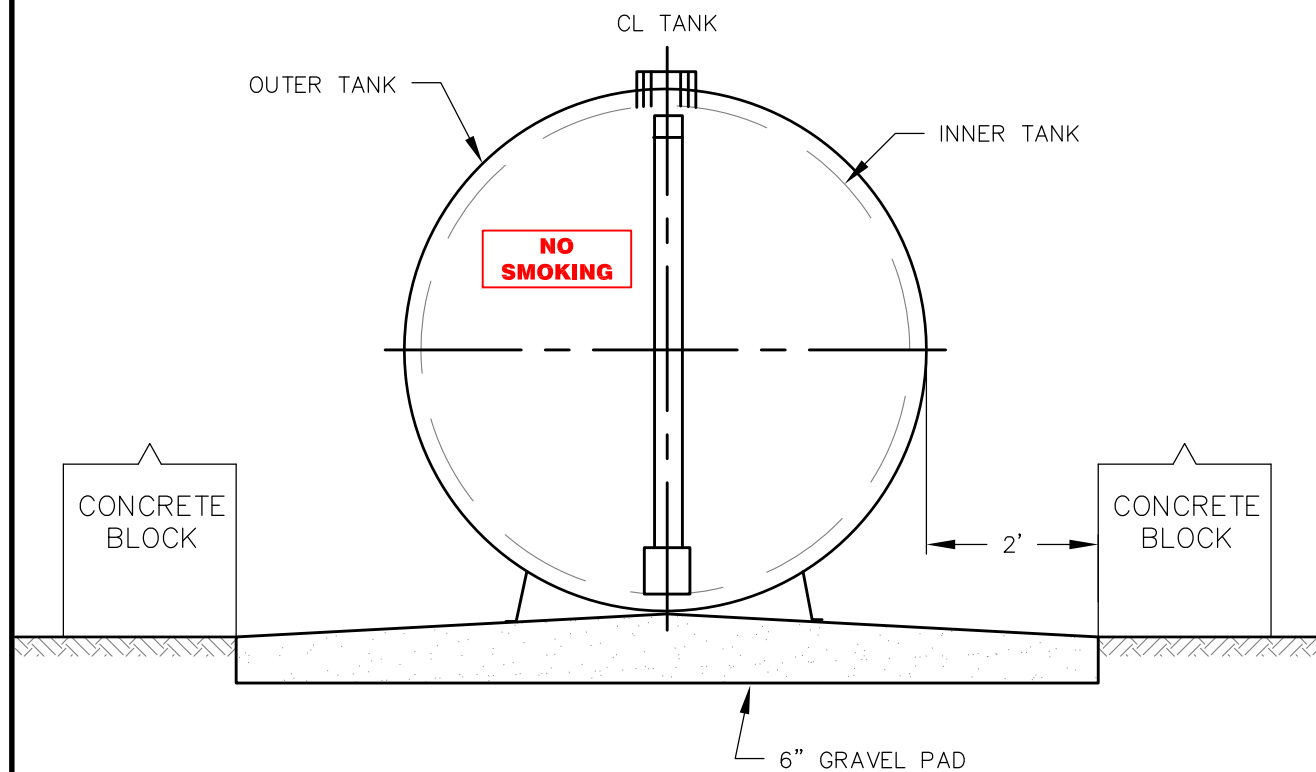
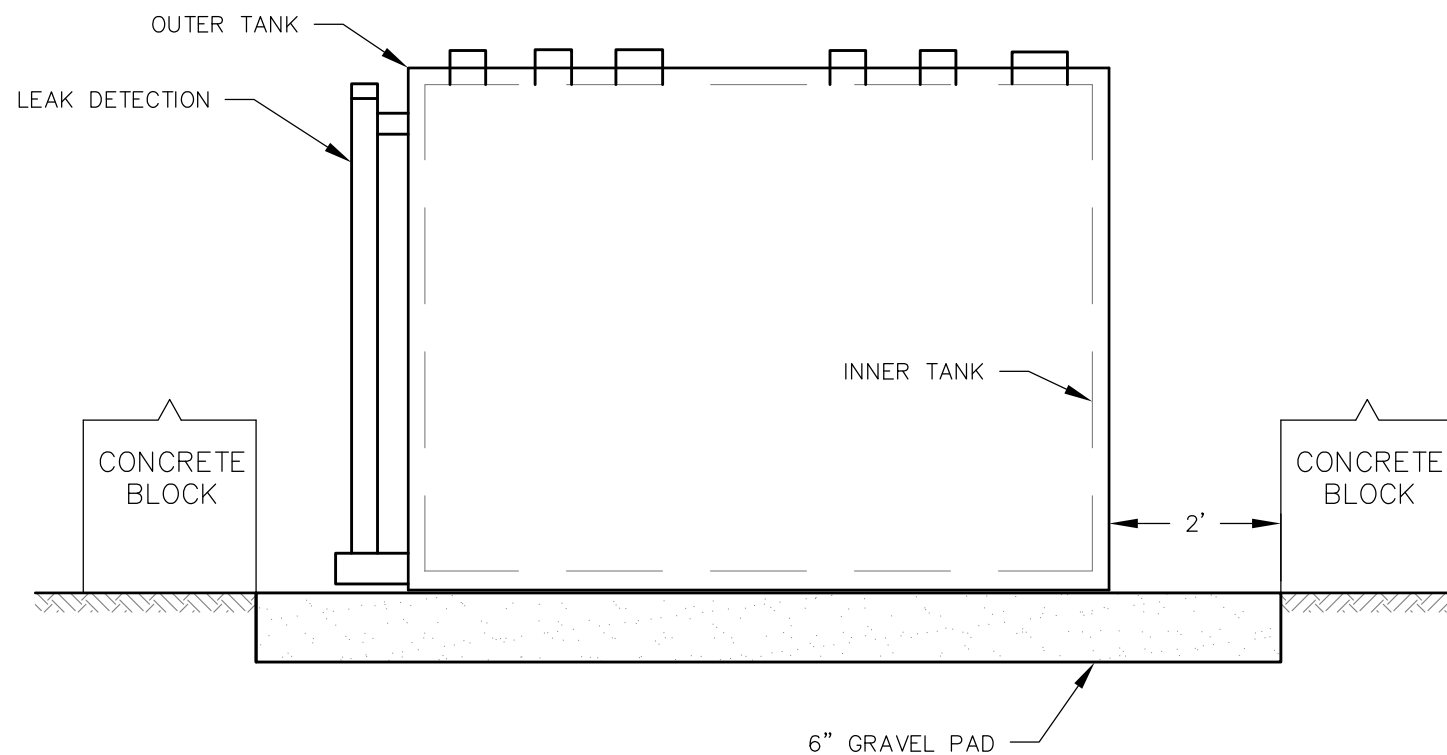


DOUBLE-WALL TANK SECONDARY CONTAINMENT FACILITY
(NOT TO SCALE)

END VIEW



SIDE VIEW



CONSTRUCTION NOTES

- TANK SHALL BE AN ABOVEGROUND ATMOSPHERIC OR LOW-PRESSURE TANK THAT MEETS OR EXCEEDS THE *UL-142 STANDARD (ACTUAL TANK MAY DIFFER FROM DETAIL SHOWN).
- TANK SHALL BE LOCATED ON A CLEAN HARD GRAVEL SURFACE AND SHALL EXTEND 2 FEET (MIN) BEYOND THE OUTSIDE DIMENSIONS OF THE TANK.
- VEHICLE FILLING AREA SHALL BE A CLEAN HARD DURABLE SURFACE.
- GUARD POSTS SHALL BE INSTALLED AROUND THE TANK AND SHALL BE SPACED NO MORE THAN 5 FEET APART. GUARD POST SHALL BE SCH. 80 STEEL PIPE FILLED WITH CONCRETE OR OTHER APPROVED MATERIALS. IN LIEU OF GUARD POSTS, CONCRETE BLOCKS WEIGHING IN EXCESS OF 2000 LBS CAN BE USED. SPACE BETWEEN BLOCKS SHALL BE NO GREATER THAN 5 FEET.
- A MINIMUM OF ONE "NO SMOKING" SIGN SHALL BE INSTALLED AT THE FUELING AREA.
- FILL PORTS ON THE TANK(S) SHALL BE PAINTED WITH THE PROPER PAINT CODE FOR THE FUEL(S) BEING CONTAINED; GASOLINE-RED, DIESEL-YELLOW, KEROSENE-BROWN.
- ANY CHANGES TO THIS DESIGN MUST BE APPROVED BY NRCS
- NOTIFY NRCS AT LEAST 2 DAYS PRIOR TO START OF CONSTRUCTION.

*UNDERWRITERS LABORATORIES STANDARD NO. 142 "STANDARD FOR STEEL ABOVEGROUND TANKS FOR FLAMMABLE AND COMBUSTIBLE LIQUIDS"



Dig Safe System, Inc.
It's Smart. It's Easy. It's the Law.
1-888-DIG-SAFE
(888) 344-7233
digsafe.com

SITE CONSIDERATIONS

- FUEL TANKS SHALL BE INSTALLED AS FAR AWAY FROM WELLS, SPRINGS AND OTHER WATER SUPPLIES AS POSSIBLE.
- TANK SHALL HAVE INDICATOR GAUGE TO DETERMINE HOW FULL THE TANK IS.
- FUEL TANKS SHALL BE LOCATED OUTSIDE THE 25 YEAR FLOOD PLAIN.
- TANKS SHALL BE LOCATED AT LEAST 25 FT FROM MAJOR TRAFFIC AREAS.
- TANKS SHALL BE LOCATED AT LEAST 10 FT FROM ANY BUILDING. CONSULT INSURANCE CARRIER REGARDING PLACEMENT OF TANKS NEAR BUILDINGS.
- TANKS SHALL NOT BE LOCATED IN HIGH VISIBLE AREAS WHERE POTENTIAL OF VANDALISM IS HIGH.

BILL OF MATERIALS

ITEM #	ITEM	QUANTITY	UNIT	CONSTRUCTION SPECIFICATIONS
1.	EXCAVATION		CY	11
2.	GRAVEL		C.Y.	11
3.	NO SMOKING SIGN	1	EA	
4.	CONCRETE BLOCK (> 2000 LBS)		EA	31
5.	GUARD POSTS		EA	46

Date 7/12
Designed by R. Thompson
Drawn by R. Thompson
Checked by J. Clough
Approved by R. Thompson



HAZARD CLASS LOW
JOB CLASS IV

DUAL WALL FUEL CONTAINMENT STRUCTURE
TYPICAL SECTIONS & NOTES
VERMONT

File Name
Drawing Name
Sheet 1 of 1