

VERMONT CONSTRUCTION SPECIFICATION

50CL – FENCE, CHAIN LINK

1. Scope

The work shall consist of furnishing and installing chain link fence, including gates and related essential components. Unless otherwise specified, complete chain link fence systems constructed in strict accordance to manufacturer's specifications and recommendations will be accepted as an equivalent substitute to this specification.

2. Materials

Unless otherwise shown on the drawings, materials for chain link fencing shall conform to the following requirements:

A. Chain Link Wire Fabric

Chain link wire fabric shall be a minimum of 5 feet high, 9 gauge galvanized wire with a minimum tensile strength of 1,290 lbs. Chain link fence fabric shall conform to the requirements of ASTM A392, "Standard Specification for Zinc-Coated Steel Chain-Link Fence Fabric". Fence fabric shall also have a 2-inch woven mesh. Zinc coating shall be Class 2 (ie. 2 ounces of zinc coating per square foot).

B. Steel Posts

Posts and fence framework shall conform to the requirements of ASTM F669, "Specification for Strength Requirements of Metal Posts and Rails for Industrial Chain Link Fence", Group 1A (Schedule 40); ASTM F1043, "Standard Specification for Strength and Protective Coatings on Metal Industrial Chain Link Fence (Galvanized) Welded, for Fence Structures", as applicable. Coatings shall be Type A galvanized for both internal and external surfaces.

- a. **Top Rail and Gate Frame:** Shall be a minimum 1-3/8 inch outside diameter standard (Schedule 40) steel pipe).
- b. **Line Posts:** Shall be a minimum of 1-5/8 inch outside diameter standard (Schedule 40) steel pipe, be of sufficient length to support the height of the fence, and be set in concrete to a depth of 24 inches. The concrete shall be extended a minimum of 2 inches below the pipe.
- c. **Corner, Gate and End Posts:** Shall be a minimum 2-3/8 inch outside diameter standard (Schedule 40) steel pipe, be of sufficient length to support the height of the fence, and be set in concrete to a depth of 36 inches and a width 3 times the diameter of the pipe. The concrete shall extend a minimum of 2 inches below the pipe.
- d. **Fittings and Gates:** Fence fittings shall conform to the requirements of ASTM F626, "Standard Specification for Fence Fittings". Fittings shall be galvanized steel. Wire ties and clips shall be 9 gauge.

VERMONT CONSTRUCTION SPECIFICATION

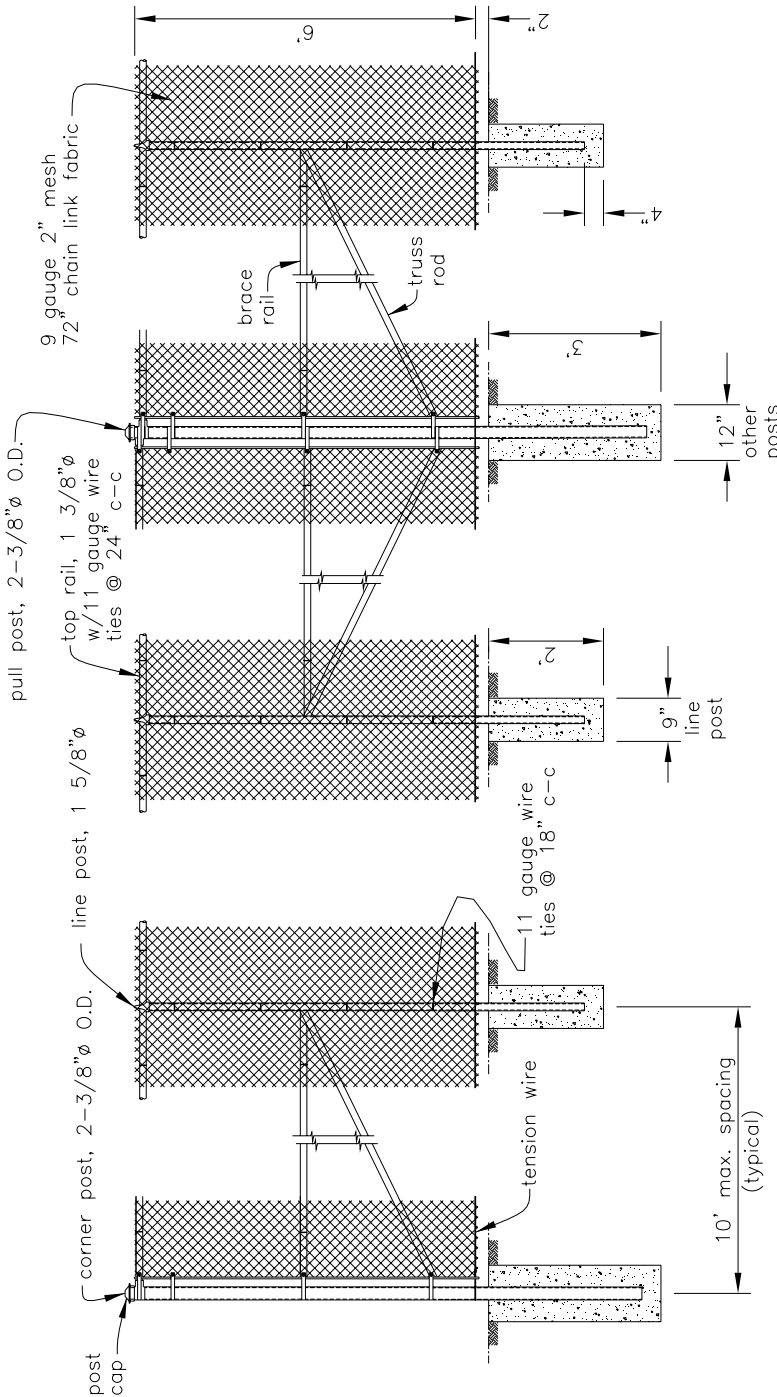
C. Installation

Unless otherwise specified by the manufacturer, line posts shall be set at intervals not exceeding 10 feet, as measured from the center of each post.

All posts shall be capped immediately after installation.

Chain link fabric is generally installed on the outside of the fence post. The fabric shall not be attached to posts until 3 days after the posts are set in concrete wall or at least 5 days after posts are set in the ground with concrete backfill. The fabric shall be stretched taut and securely fastened, using 9 gauge tie clips, to posts at intervals not exceeding 15 inches and the top rails or tension wires at intervals not exceeding 24 inches. Care shall be taken to equalize the tension on each side of each post.

Gate frames shall be fabricated and hung so that sag no more than one percent of the gate width.

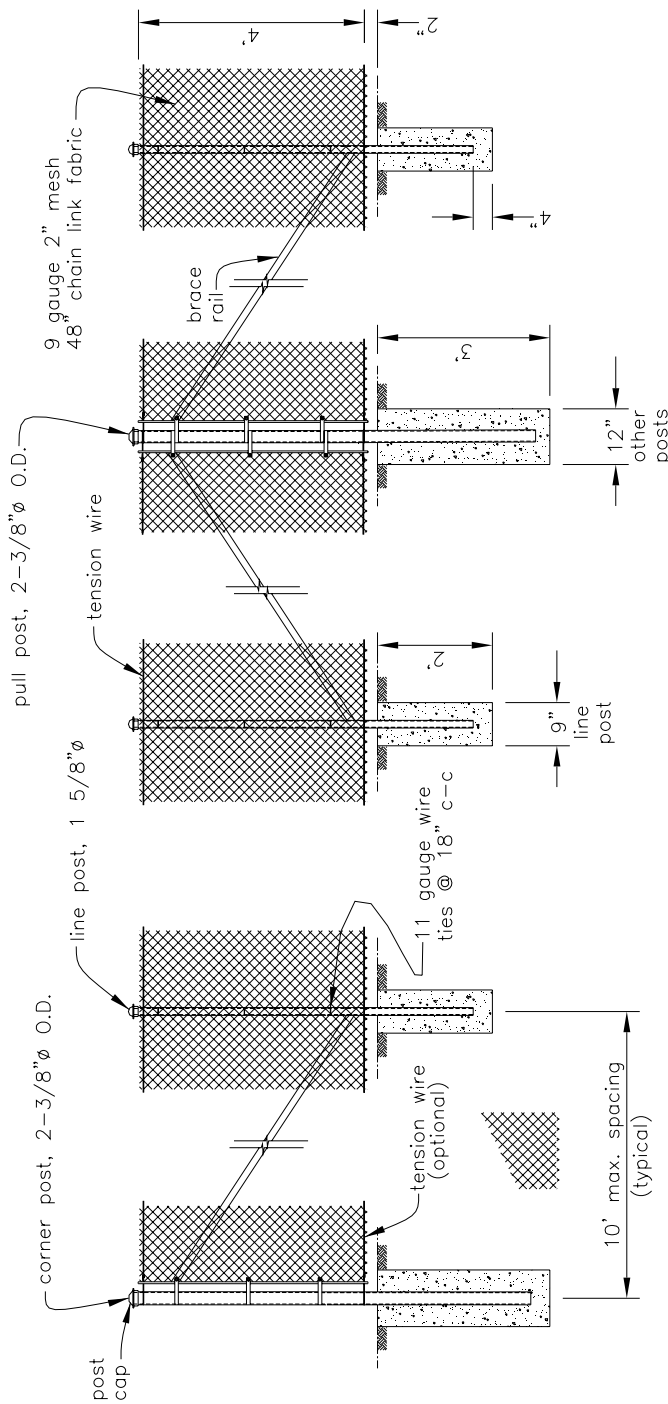


ELEVATION VIEW

Concrete shall be class 3000. Concrete for line posts to be 9" min. diameter. Concrete for all other posts to be 12" min. diameter.

Drawing not to scale. Standardized drawing must be adapted to the specific site.

U.S.D.A. NATURAL RESOURCES CONSERVATION SERVICE	JOB CLASS	CLASS	Designed _____	Date _____
	CAD FILE NO.	FILE	Drawn _____	
	SHEET	OF	Checked _____	
				Approved _____

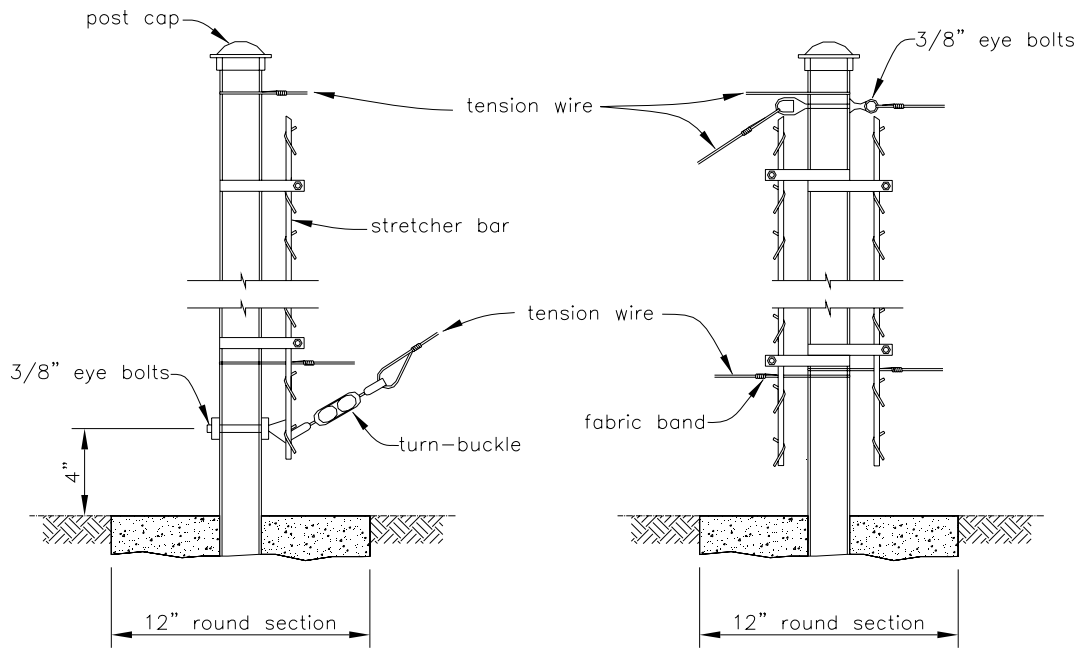


ELEVATION VIEW

Concrete shall be class 3000. Concrete for line posts to be 9" min. diameter. Concrete for all other posts to be 12" min. diameter.

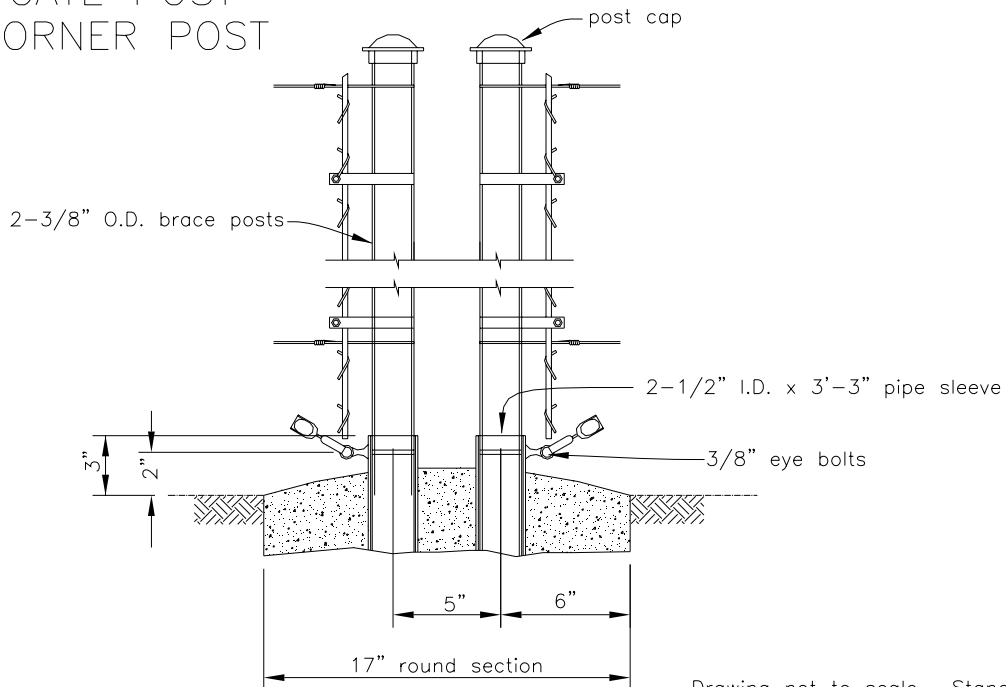
Drawing not to scale. Standardized drawing must be adapted to the specific site.

JOB CLASS	CLASS	Date
CAD FILE NO.	FILE	Designed _____
SHEET	OF	Drawn _____
U.S.D.A. NATURAL RESOURCES CONSERVATION SERVICE		Checked _____
		Approved _____



END POST
GATE POST
CORNER POST

PULL POST

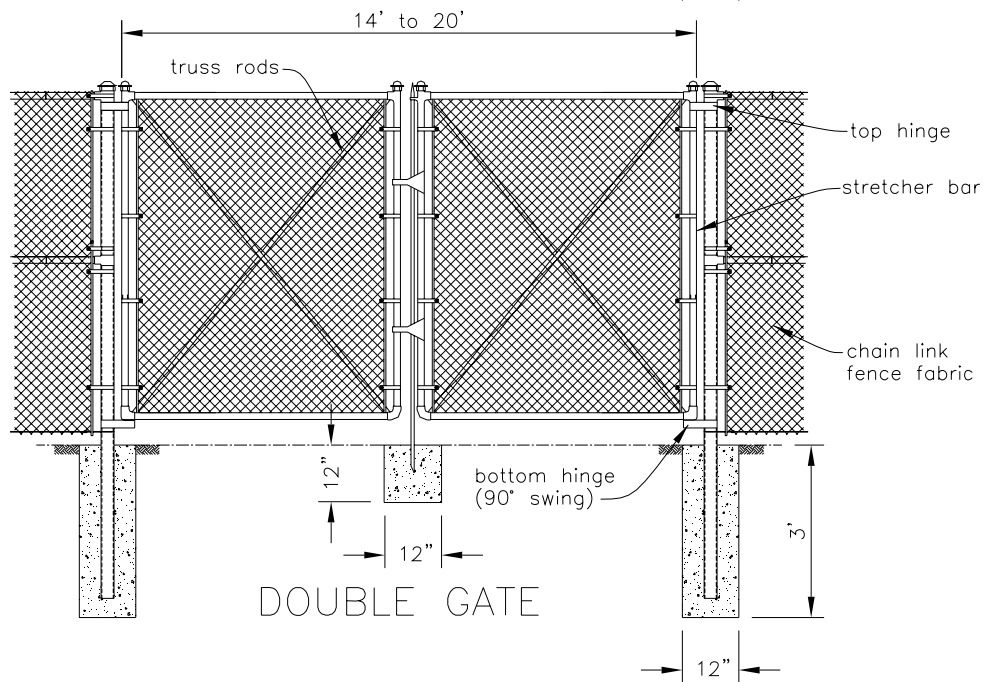
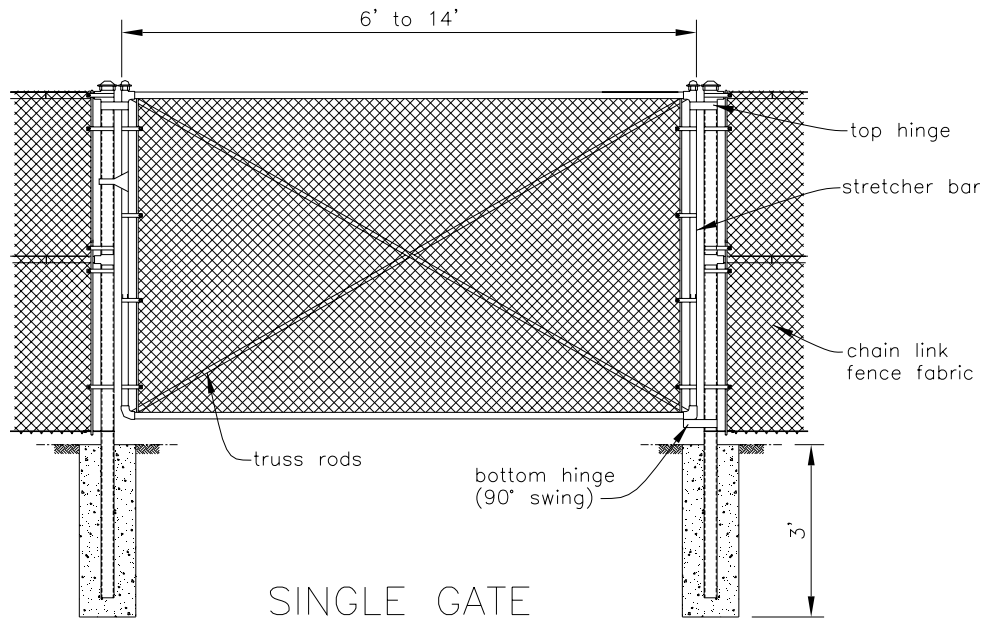


BRACE POST DETAIL

Drawing not to scale. Standardized drawing must be adapted to the specific site.

JOB CLASS	CLASS	Date
CAD FILE NO.	FILE	Designed _____
SHEET	OF	Drawn _____
		Checked _____
		Approved _____

U.S.D.A. NATURAL RESOURCES CONSERVATION SERVICE



Drawing not to scale. Standardized drawing must be adapted to the specific site.

JOB CLASS	CLASS	Designed _____	Date _____
CAD FILE NO.	FILE	Drawn _____	_____
SHEET	OF	Checked _____	_____
		Approved _____	_____

U.S.D.A. NATURAL RESOURCES CONSERVATION SERVICE